

## **Electronic Coin Selector-Model 800**



### **Main Features:**

#### **Reliability:**

Latest measuring technology with an unlimited number of parameter combinations provides optimal coin / token acceptance. Combined with advances in mechanical design, this leads coin handling to newer, higher standards.

#### **Security:**

Features such as coin-on-a -string and coin jam surveillance underline utmost security. Further more, specifically developed technology for bicolour coins is included.

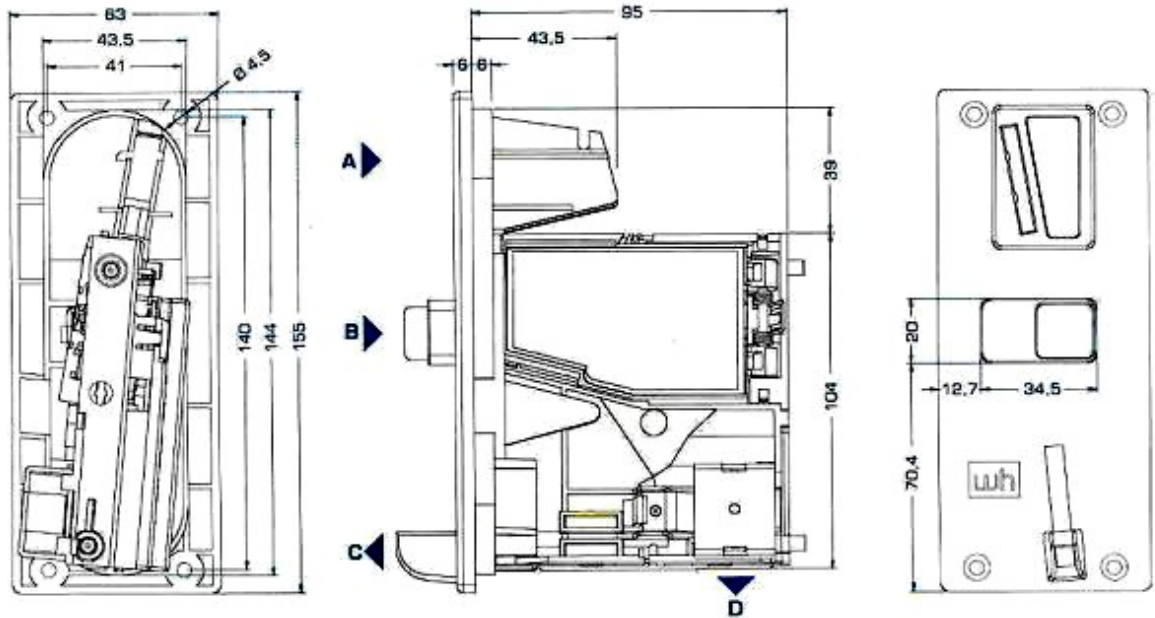
#### **Modular Design:**

An extensive range of options allows the customer to choose the configuration that best matches the requirements of the application. Other products such as Coin Hopper for dispensing change and Currency Validator further compliment our range around the Coin Selector.

## DIMENSIONS

EMP 800.xx with standard front plate F 800

**A:** coin insert                      **C:** coin reject;  
**B:** coin reject button            **D:** coin acceptance



**Note:** All the dimensions are in millimeter.

### **Technical Data:**

Coin Acceptance

Maximum Coin Sizes

Coin Blocking

Standard Temperature Range-

Body Dimensions

Supply Voltage

Supply Current

Interface

Denomination Supported

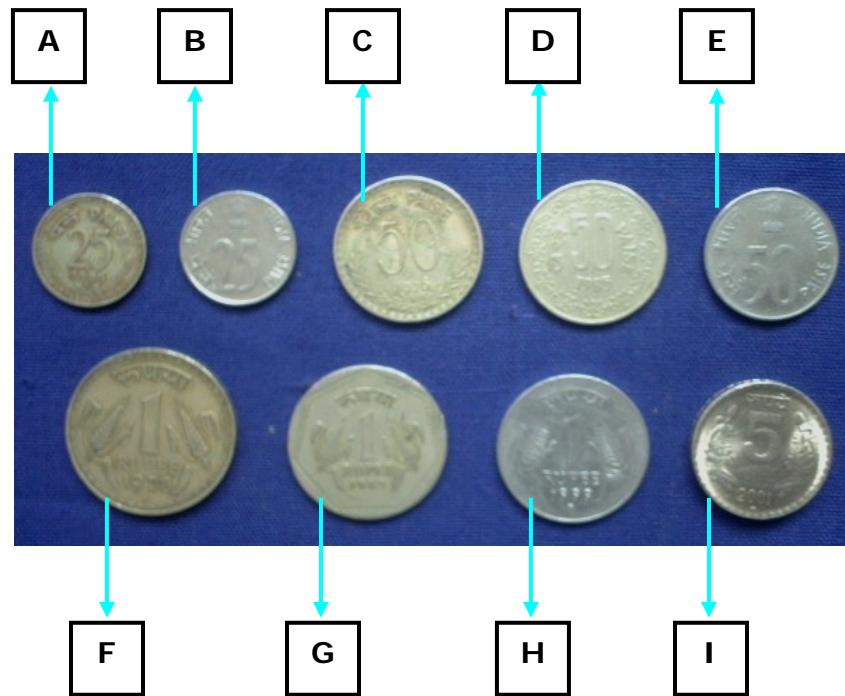
(The types include both old and new type of Indian coins)

### **Standard Features:**

- 32 active channels, up to 16 different coins or tokens
- Diameter: 31.5mm, Thickness: 3.2mm.
- 16 DIP switches for blocking individual or group of coins
- +10°C to +70°C.
- height x width x depth 14x53x93.5mm (Excluding front plate)
- 8 to 18V DC.
- <60mA (During coin acceptance briefly 350mA at 12V)
- Pulse serial

Paise	25	50	Re.1	Rs.5
Types	2	3	3	1

## Indian Coins Supported by EMP 800 Coin Selector



No	Type	Description	DIP switch number in Coin Selector
1	A	Old Twenty Five Paise	2
2	B	New Twenty Five Paise	3
3	C	Very Old Fifty Paise	5
4	D	Old Fifty Paise	5
5	E	New Fifty Paise	6
6	F	Very Old One Rupee	9
7	G	Old One Rupee	10
8	H	New One Rupee	12
9	I	Five Rupee	14

### **Note:**

The coin Selector has sixteen channels for programming 16 different types of coins. Presently 9 channels are used for Indian Coins as above. If new coins are released, it can be programmed further and accommodated in the same Coin Selector.

**DIP Switch for blocking Individual Coins in Coin selector:**



**Label with Blocking Details**

**DIP Switch 1 to 8**

**DIP Switch 9 to 16**

**Note:**

1. Coin Selector has two DIP Switches, marked as 1 to 8 & 9 to 16 for blocking individual coins.
2. The default values of the switches are "OFF" meaning that all coins are allowed and nothing is blocked. If any Coin is required to be blocked, the corresponding switch has to be moved to "ON" position. This means Blocking of that particular coin is "ON".
3. Refer to the Label printed on the Coin Selector under the column " X " for the corresponding DIP Switch for enabling Blocking "ON"
4. The following table gives the DIP Switch details:

No	Value	DIP switch number in Coin Selector
1	Old Twenty Five Paise	2
2	New Twenty Five Paise	3
3	Very Old Fifty Paise	5
4	Old Fifty Paise	5
5	New Fifty Paise	6
6	Very Old One Rupee	9
7	Old One Rupee	10
8	New One Rupee	12
9	Five Rupee	14