

Currency Validator -Vector



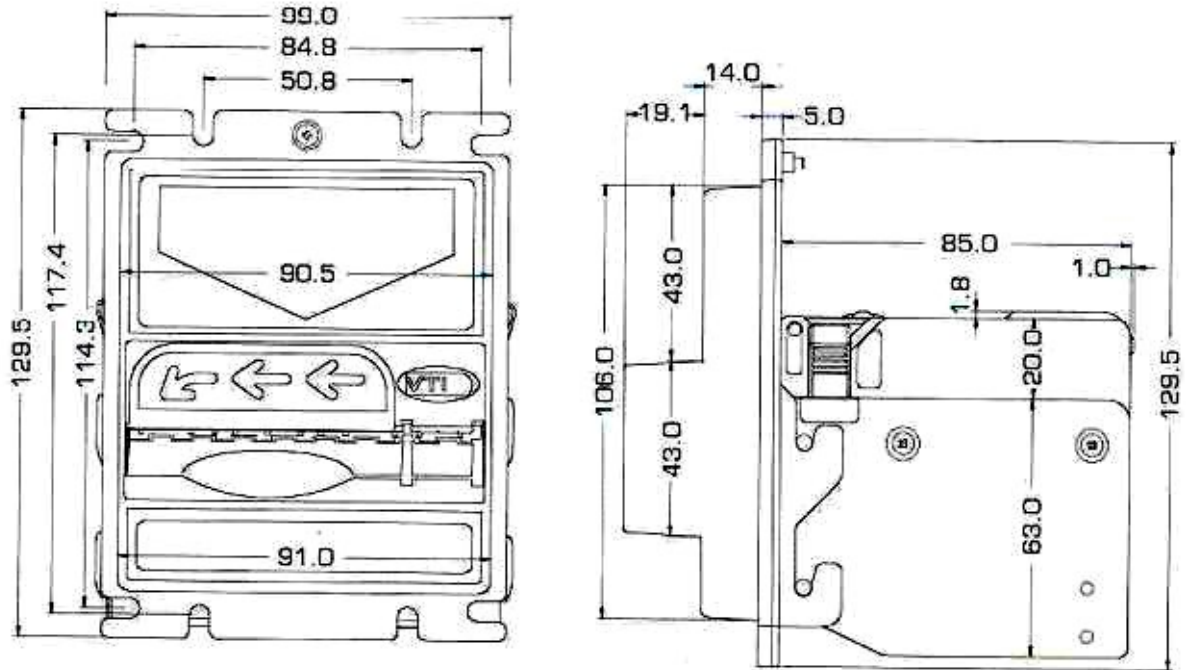
Main Features:

1. 10 to 1000 INR validations
2. International validation process.
3. 6 denominations supported (INR 10, 20, 50, 100, 500 & 1000)
4. 4-way note acceptance
5. Advanced sensors
6. Operates on +12V DC at 1.5A
7. On-board diagnostics
8. Stackerless free fall mechanism
9. Multiple mounting options
10. Compact design

Technical Data:

Supply voltage	- 12Volts DC @ 1.5A
Current consumption	- <800mA validating (<1.5A stall) - <140mA idle mode
Interfaces	- Pulse Serial
Dimensions	- h x w x d: 130 x 99.1 x 123 mm
Maximum note width	- 85 mm
Testing method	- optical including UV sensor
Version	- Vector pulse serial model

DIMENSIONS



Note: All the dimensions are in millimeter.

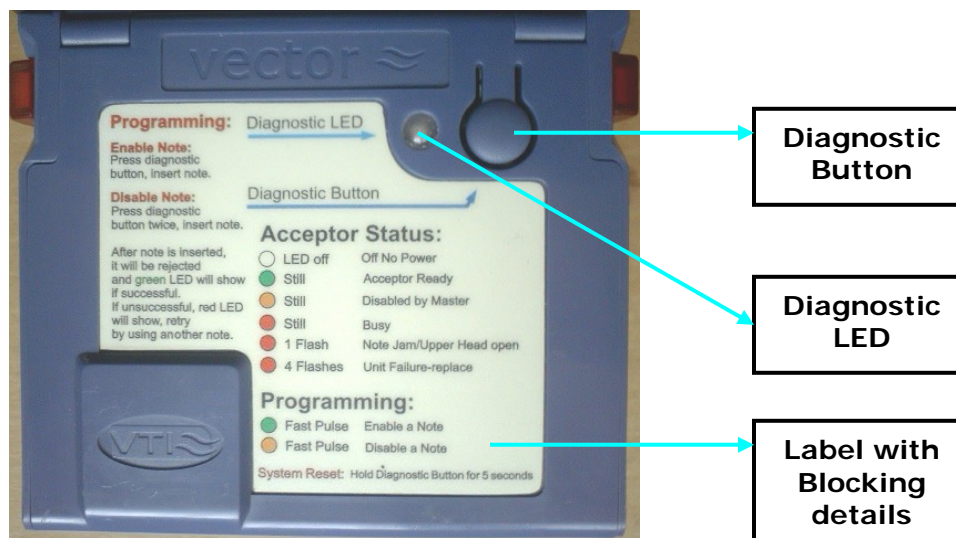
Indian Currencies Supported by Currency Validator (VECTOR):

No	Description	Channel in Currency Validator
1	Ten Rupee Note	2
2	Twenty Rupee Note	3
3	Fifty Rupee Note	4
4	One Hundred Rupee Note	5
5	Five Hundred Rupee Note	6
6	One thousand Rupee Note	7

Note:

The Currency Validator will accept only " **Gandhi Notes** ". Currency Validator has twenty channels for programming 20 different types of currencies. Presently 6 channels are used for Indian Currencies as above. If new currencies are released, it can be programmed further and accommodated in the same Currency Validator.

Blocking of Individual Currency in Currency Validator:



Note:

1. Currency Validator has Diagnostic Button and Diagnostic LED for enable and disable individual currency.
 - a) Enable Note: Press Diagnostic button and insert Note.
 - b) Disable Note: Press Diagnostic button twice and insert note.
 - c) After note is inserted, it will be rejected and green LED will Show if successful.
 - d) If unsuccessful. Red LED will show, retry by using another note.
2. By default VECTOR will accept all the six type of Gandhi notes.
3. Acceptor Status:
 - a) LED off - OFF No Power
 - b) LED Green - Acceptor Ready
 - c) LED Orange - Disabled by Master
 - d) LED Red - Busy
 - e) LED Red 1 Flash - Note Jam/Upper Head Open
 - f) LED Red 4 Flashes - Unit Failure - replace
4. System Reset:
Hold Diagnostic Button for 5 seconds.